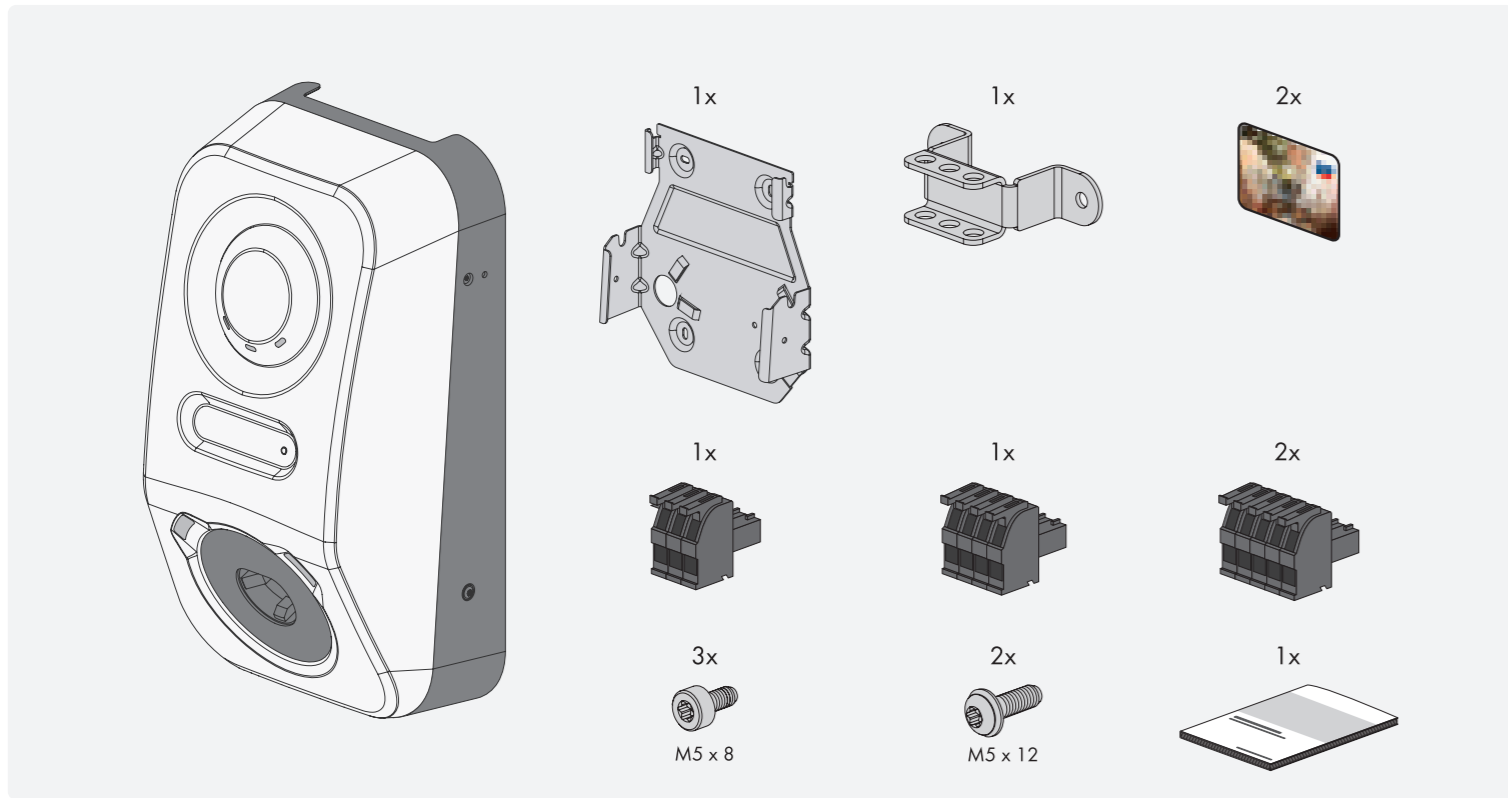


SMA eCharger 22

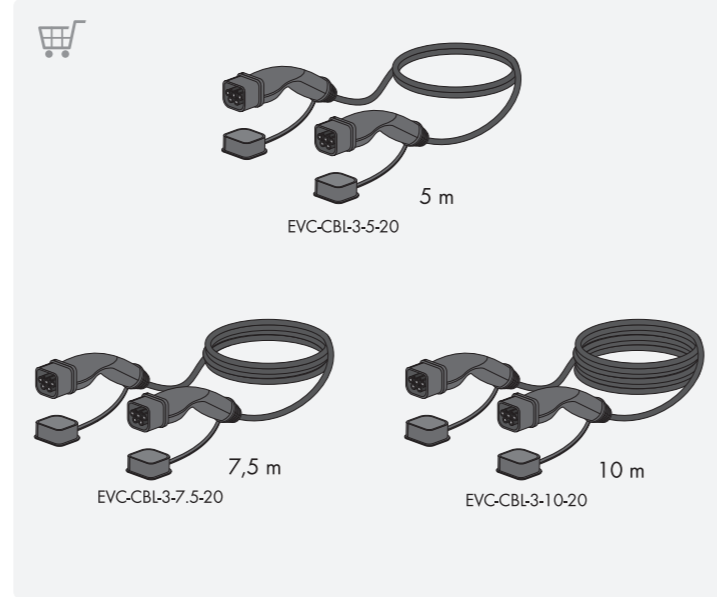
EVC22-3AC-20



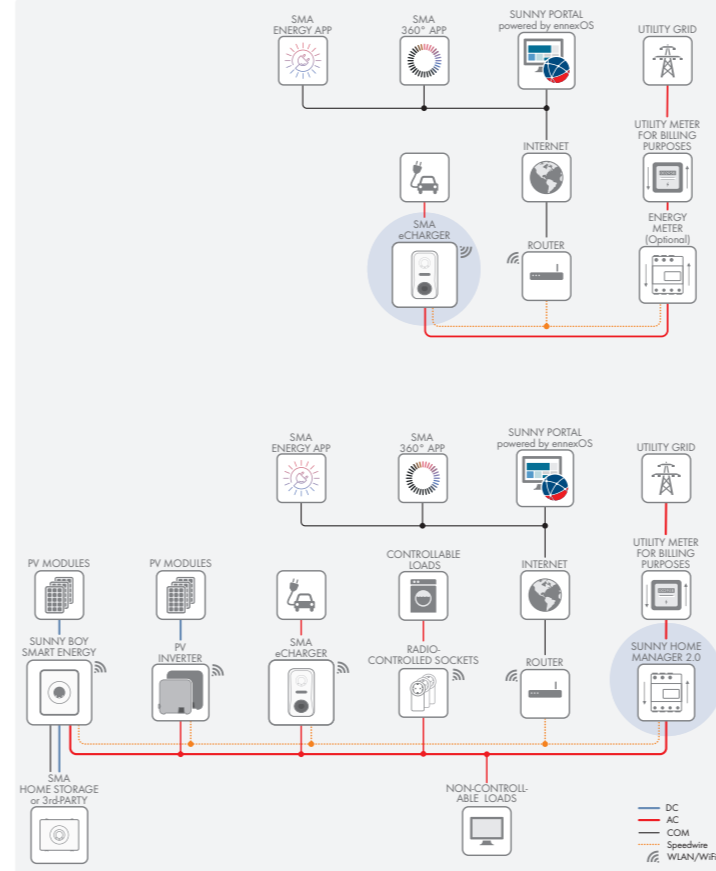
1



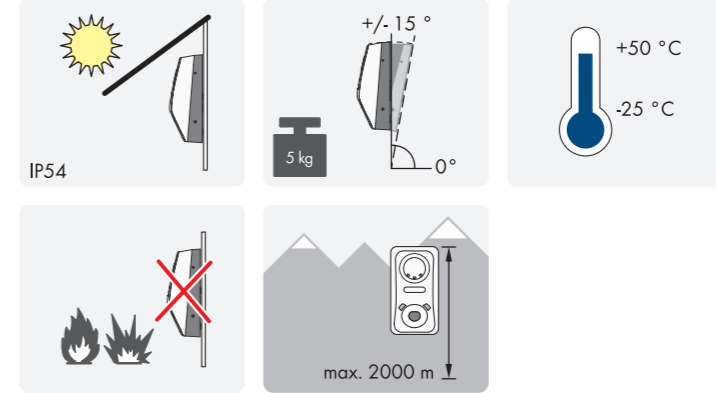
2



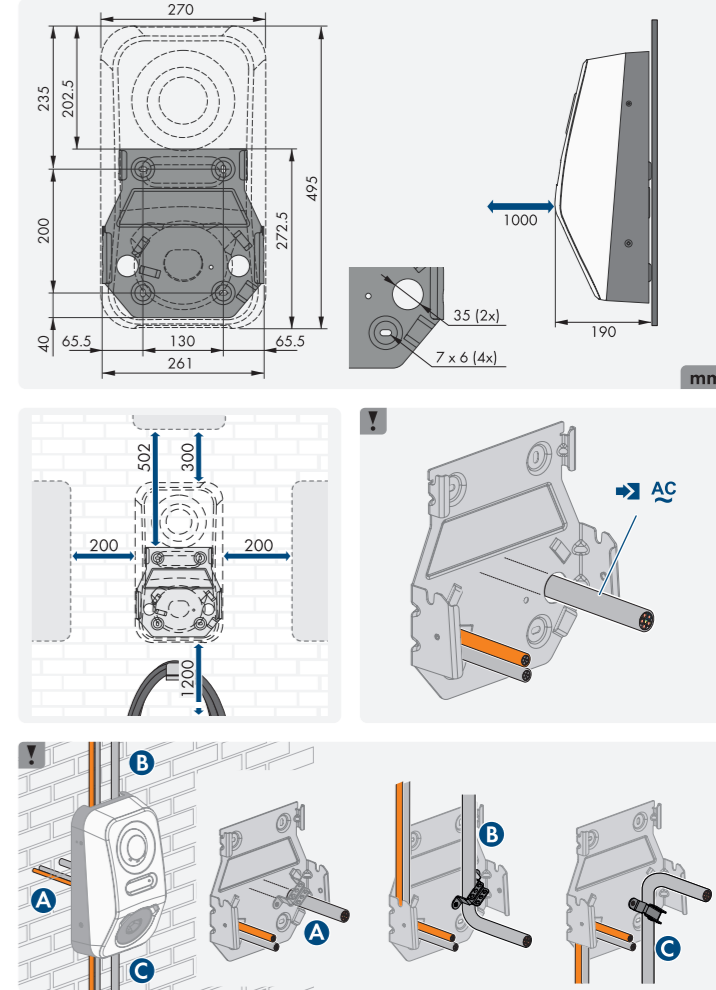
3



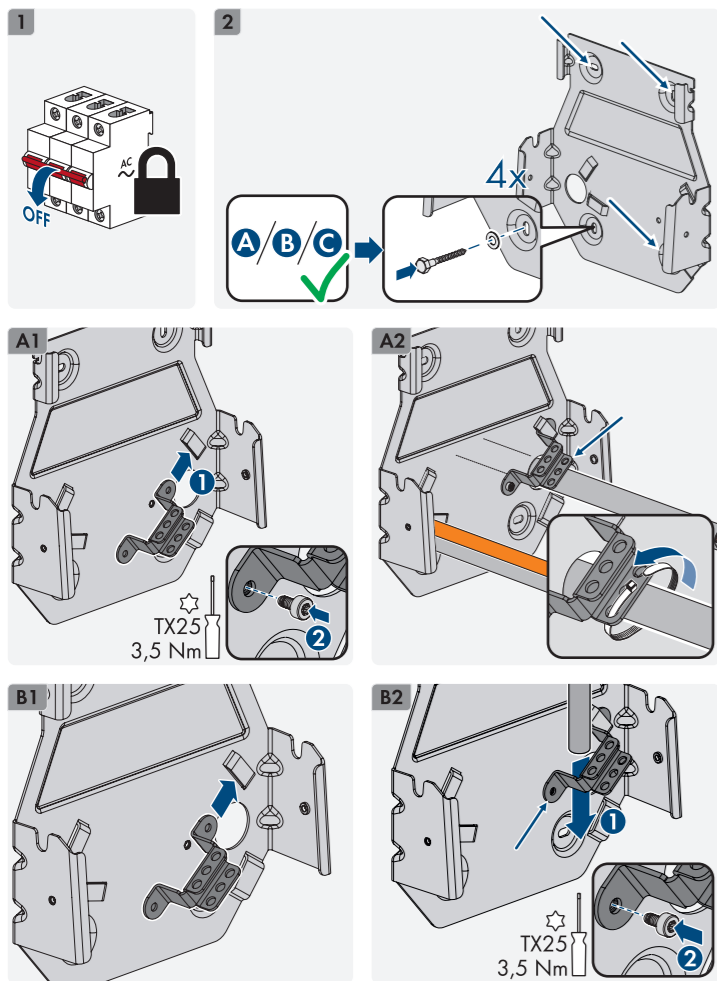
4



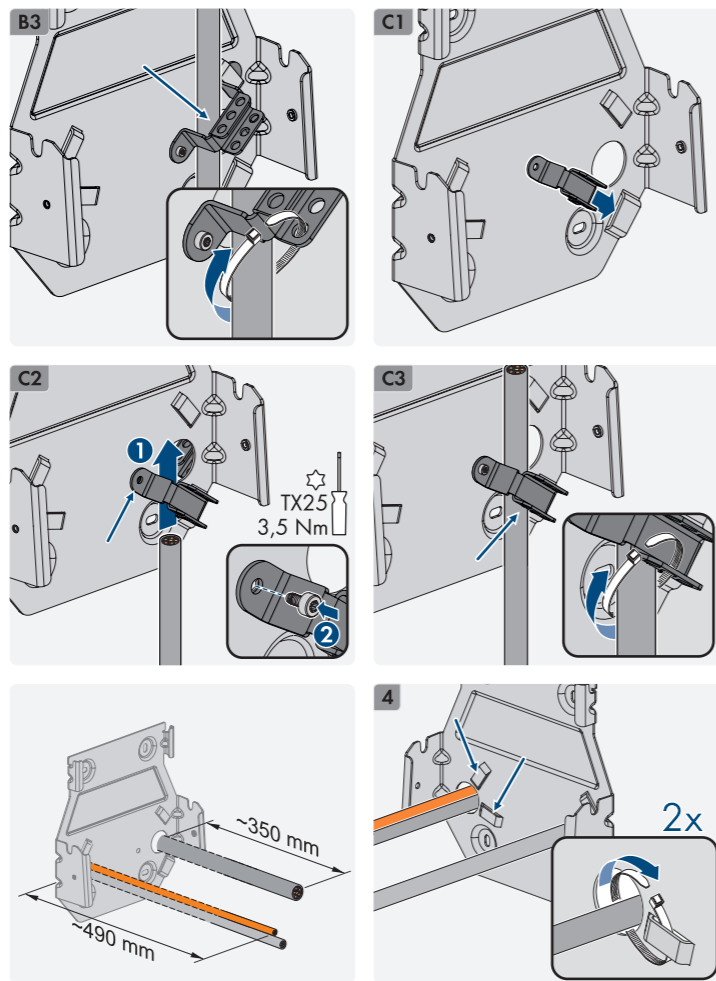
5



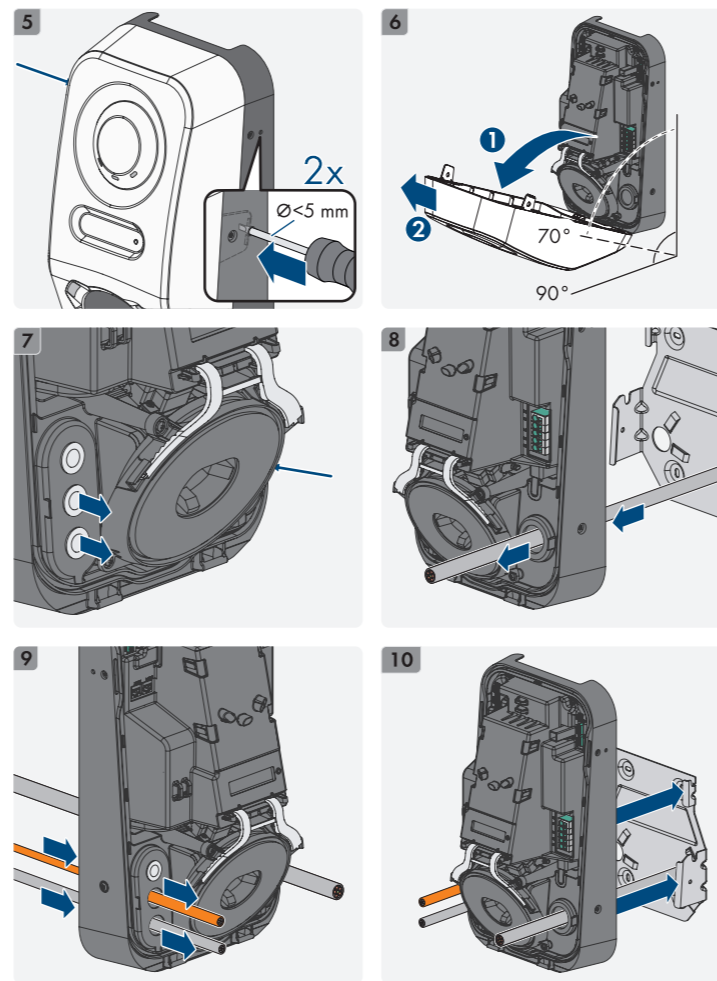
5



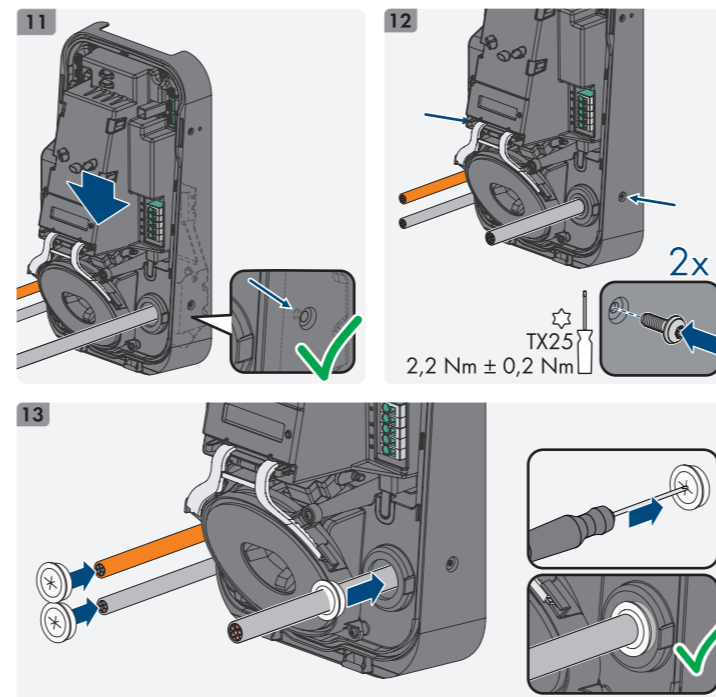
5



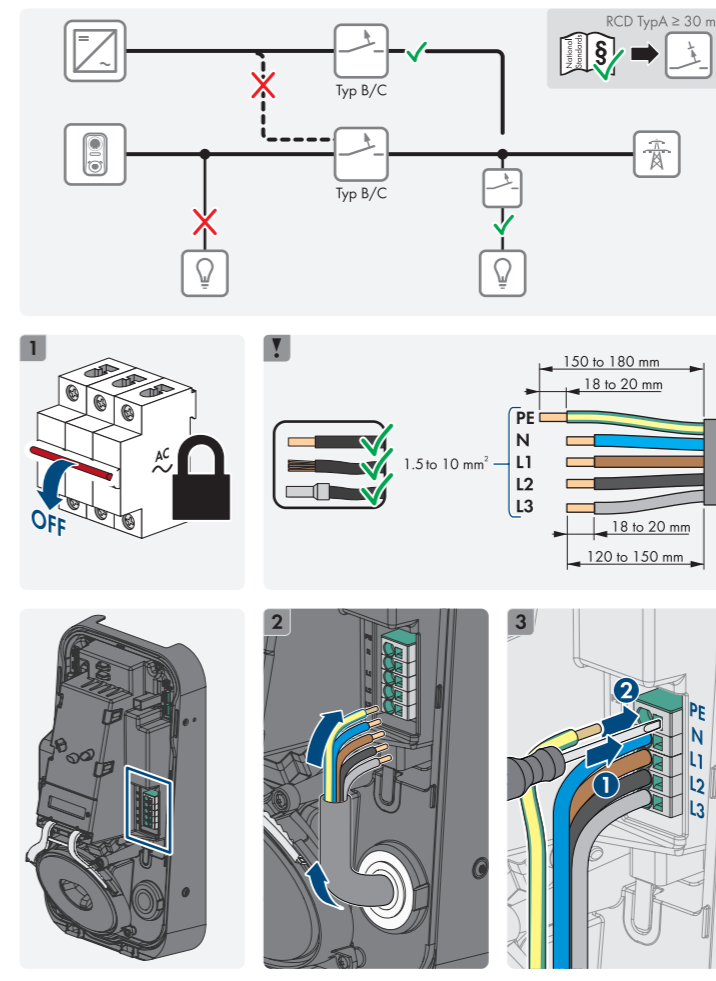
5



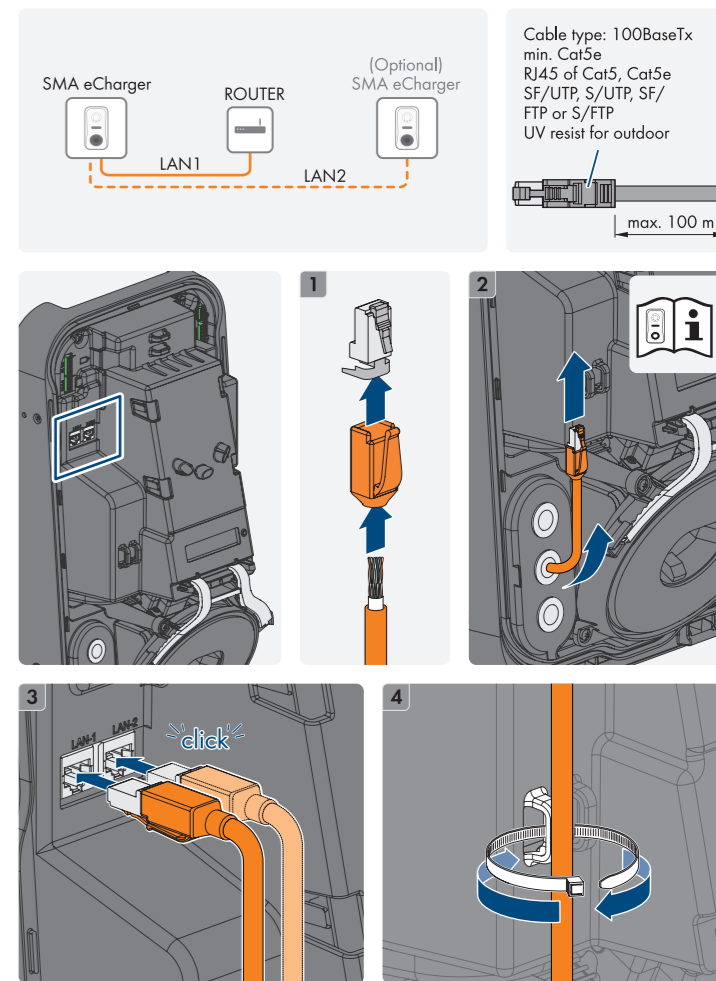
5



6



7



INPUT

1 = DI1	6 = DI5
2 = DI2	7 = DI6
3 = DI3	8 = DI7
4 = DI4	9 = DI8
5 = DI9	

DI 1-4 DI 5-6

9 x 0,5 mm² to 0,75 mm²
max. 30 m
6 mm
150 mm

Warning: < 30 V / 1 A

min. 3 x 0,5 mm² to 0,75 mm²
max. 30 m
6 mm
150 mm

2 x 2 x 0,22 mm² Twisted pair
Shield
6 mm
50 mm
max. 1200 m

D+ GND D- Shield

1 click

2 70° 90°

3 ON

4 >5 min

2x TX25 2,2 ± 0,2 Nm

SMA 360°

GET IT ON Google Play
Download on the App Store

WLAN

WLAN SMAxxxxxxx
Network 1
Network 2

SMA[Serial number]
WLAN password (WPA2-PSK) XXXXXX

WPA2-PSK:XXXXX

WPS

WPS on

https://169.254.12.3

IP → XXX.XXX.XXX.XXX
or
SMA[Serial number].local
https://SMA[Serial number]

Test Unit

E-Check IEC 61851

Maximum connected load (Mode 3)	1,38 kW to 22 kW (configurable)
Nominal voltage	1N~, AC, 230 V / 3N~, AC, 400 V
Nominal frequency	50 Hz / 60 Hz
Rated current	max. 32 A per phase
DC residual current detection (integrated)	6 mA
Type of charge point	Typ 2 charging socket
Grid configurations	TN / TT / IT
Degree of protection (in accordance with IEC 60529) / impact resistance	IP 54 / IK 10
Protection class (in accordance with IEC 62103) / Overvoltage category	I / III