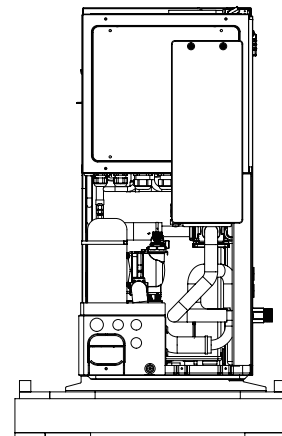
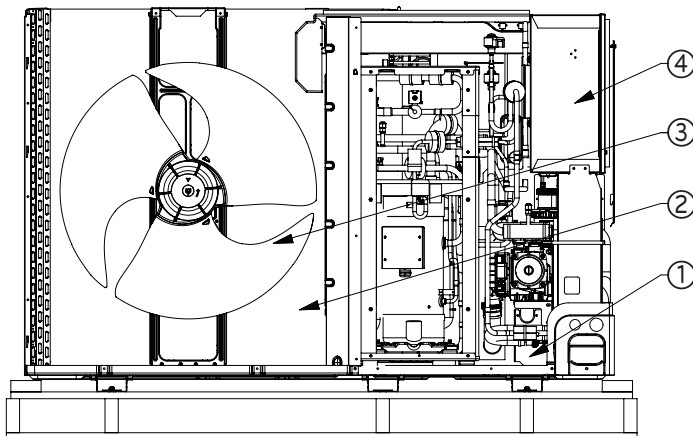
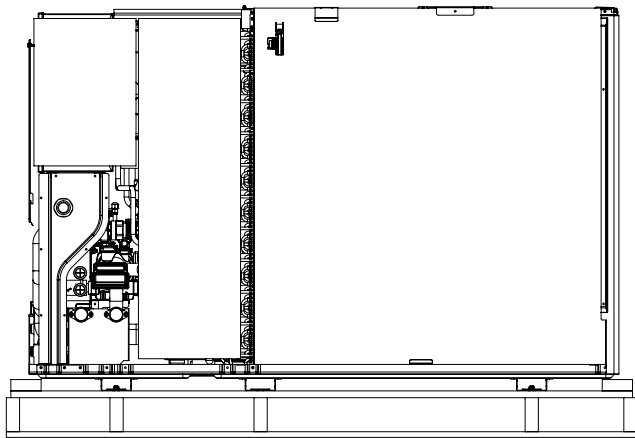


Outdoor unit : Internal

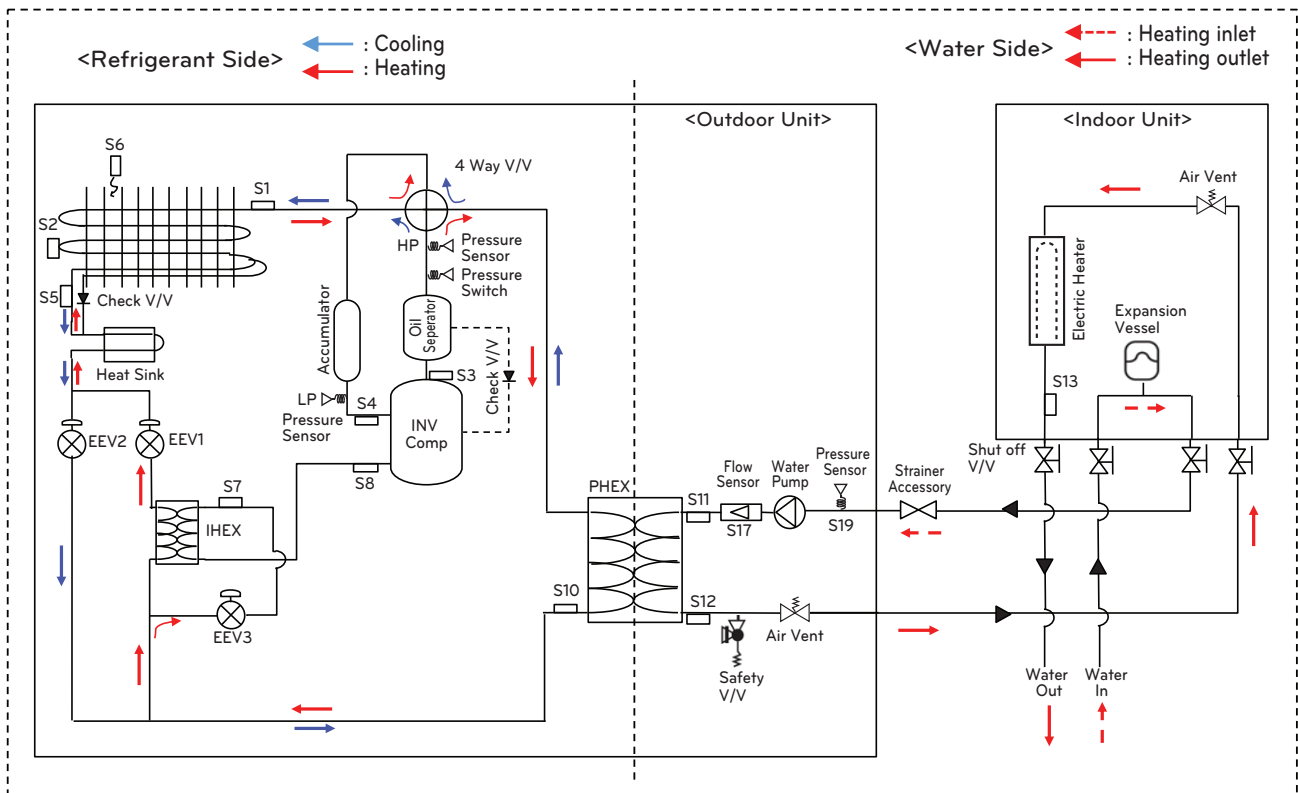
(unit : mm)



Description

No	Name	Remark
1	Compressor	Increase pressure of the refrigerant.
2	Fin tube Heat Exchanger	Heat exchange between refrigerant and air.
3	Fan	Circulating the air.
4	Control Box	PCB and terminal blocks.

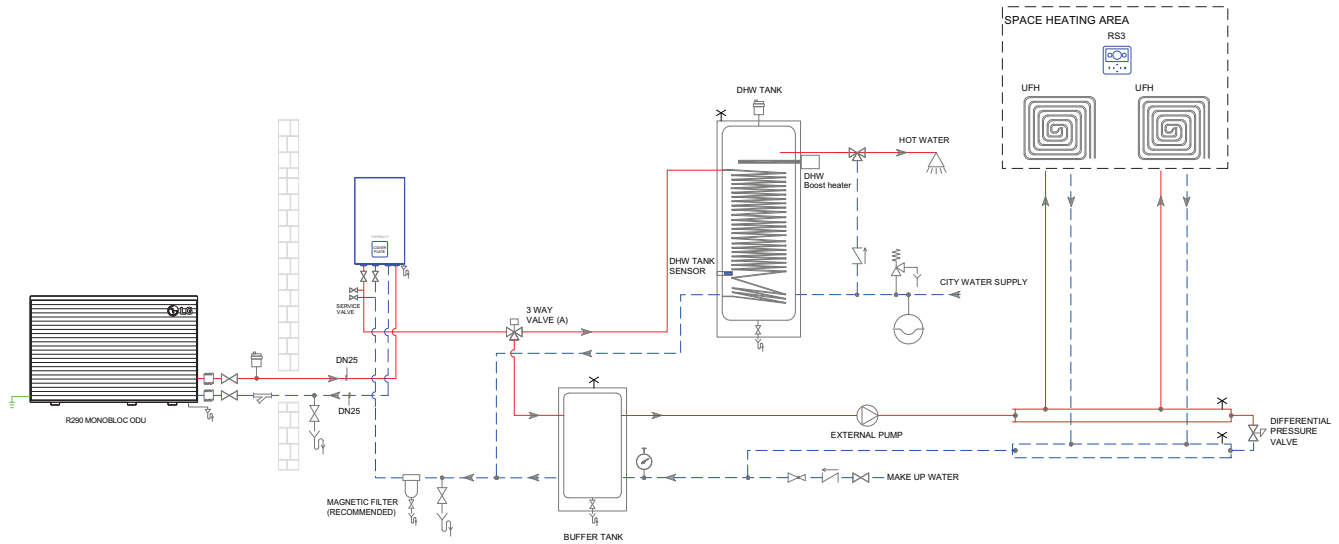
3. Cycle Diagram



Description

Category	Symbol	Meaning
Refrigerant side	S1	Outdoor-HEX gas temp. sensor
	S2	Outdoor-HEX middle temp. sensor
	S3	Compressor discharge temp. sensor
	S4	Compressor suction pipe temp. sensor
	S5	Outdoor-HEX temp. sensor
	S6	Outdoor air temp. sensor
	S7	Compressor-injection pipe IN temp. sensor
	S8	Compressor-injection pipe OUT temp. sensor
Water Side	S10	PHEX liquid temp. sensor
	S11	Inlet water temp. sensor
	S12	Outlet water temp. sensor
	S13	Electric backup heater outlet temp. sensor
	S17	Flow sensor
	S19	Water pressure sensor
	LP	Low pressure sensor
HP	High pressure sensor	

4. Piping Diagram



Note

The exemplary diagram does not include all necessary safety and installation devices. This is not an 'as-built drawing'.

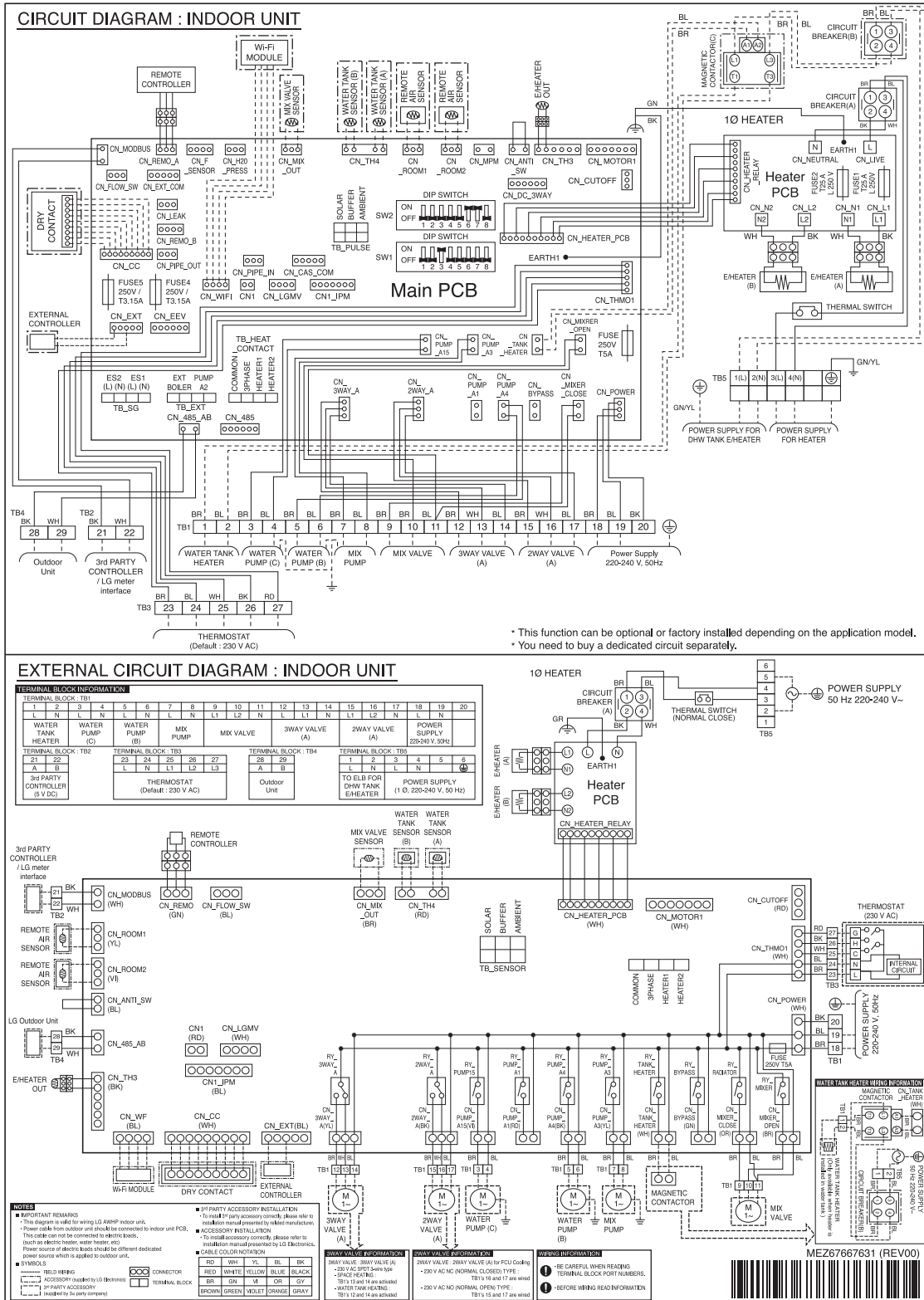
Symbol & Legends

	Circulation Pump		Motorized 3 Way Valve		Check Valve		RS3 Remote Controller
	Expansion Tank		Motorized 2 Way Valve		Safety Relief Expansion Tank Valve with drain		Remote Room Air Sensor
	Air Vent		Differential Pressure Valve		Y-type strainer		Dry Contact
	Pressure Gauge		Thermostatic Mixing Valve		Flow Sensor		Wi-Fi Modem
	Flexible Connection		Shut Off Valve		Magnetic Contactor		Thermostat
	Drain		Pressure Reducing Valve		Drain Pan		Cover Plate

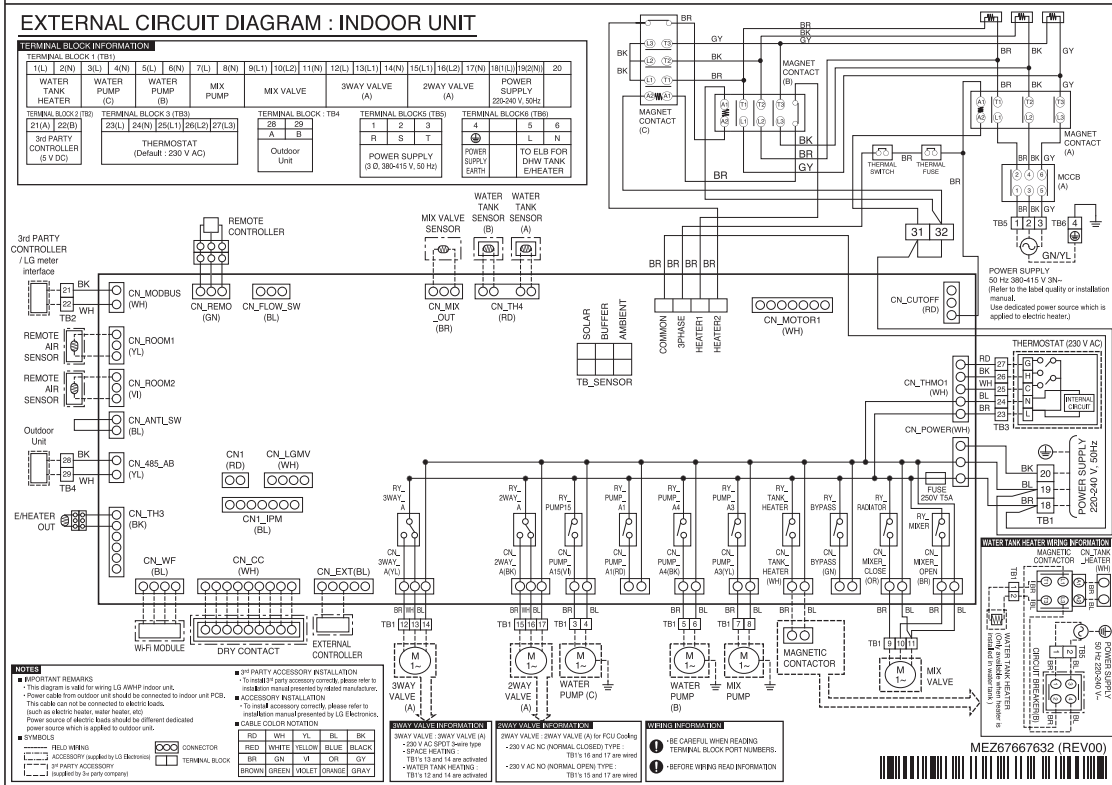
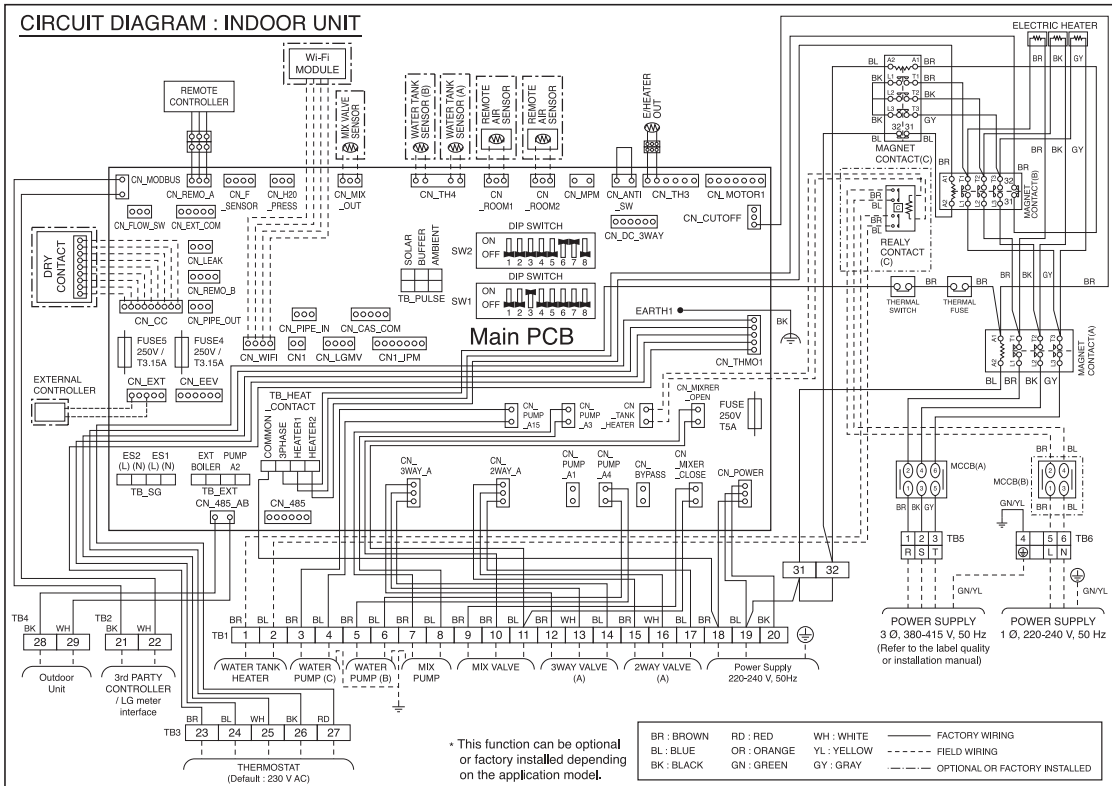
* For more installation scenes, visit <http://partner.lge.com/> or contact your local LG office.
 Select Region → Doc. Library → (Product) Heating → Application Guide → Referenced Drawing for Application

5. Wiring Diagrams

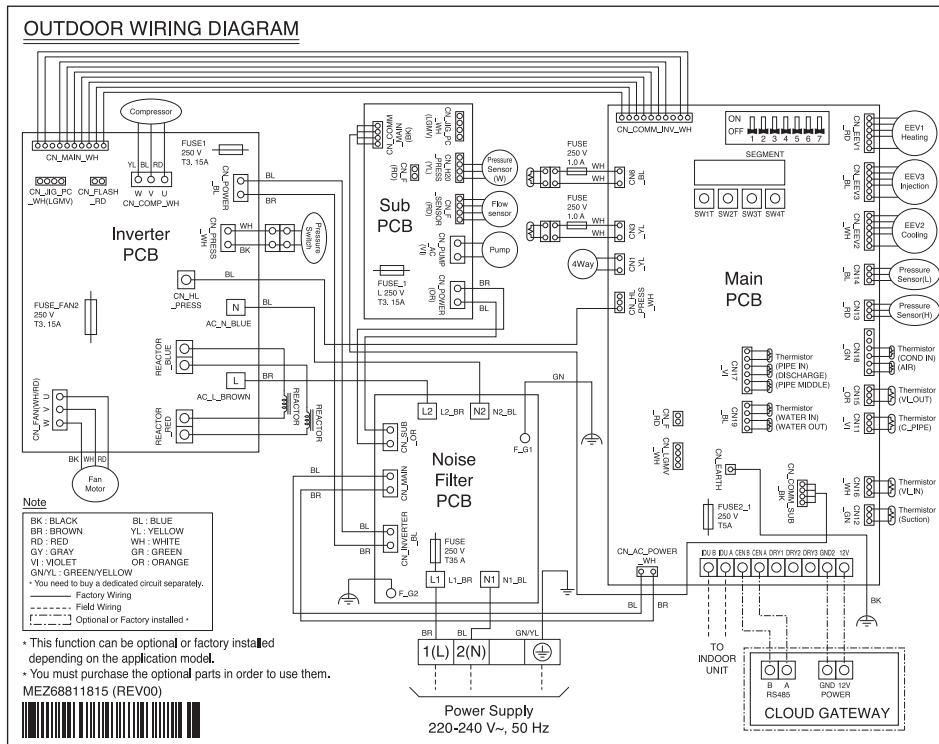
Indoor Unit(Including field wiring) : K1 Chassis, 10



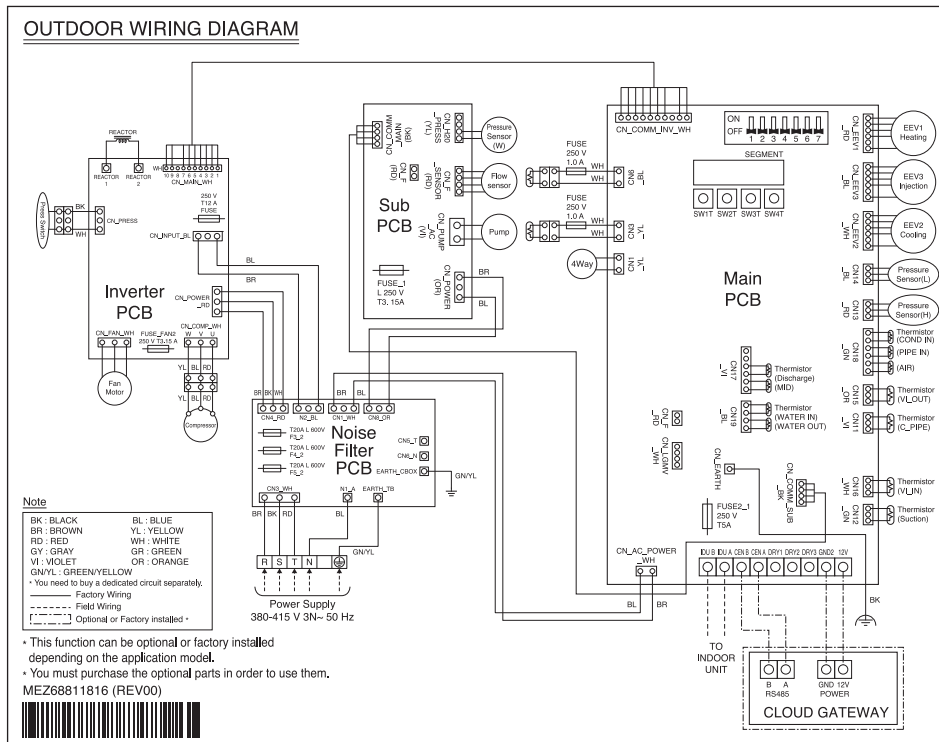
Inddor Unit(Including field wiring) : K1 Chassis , 3Ø



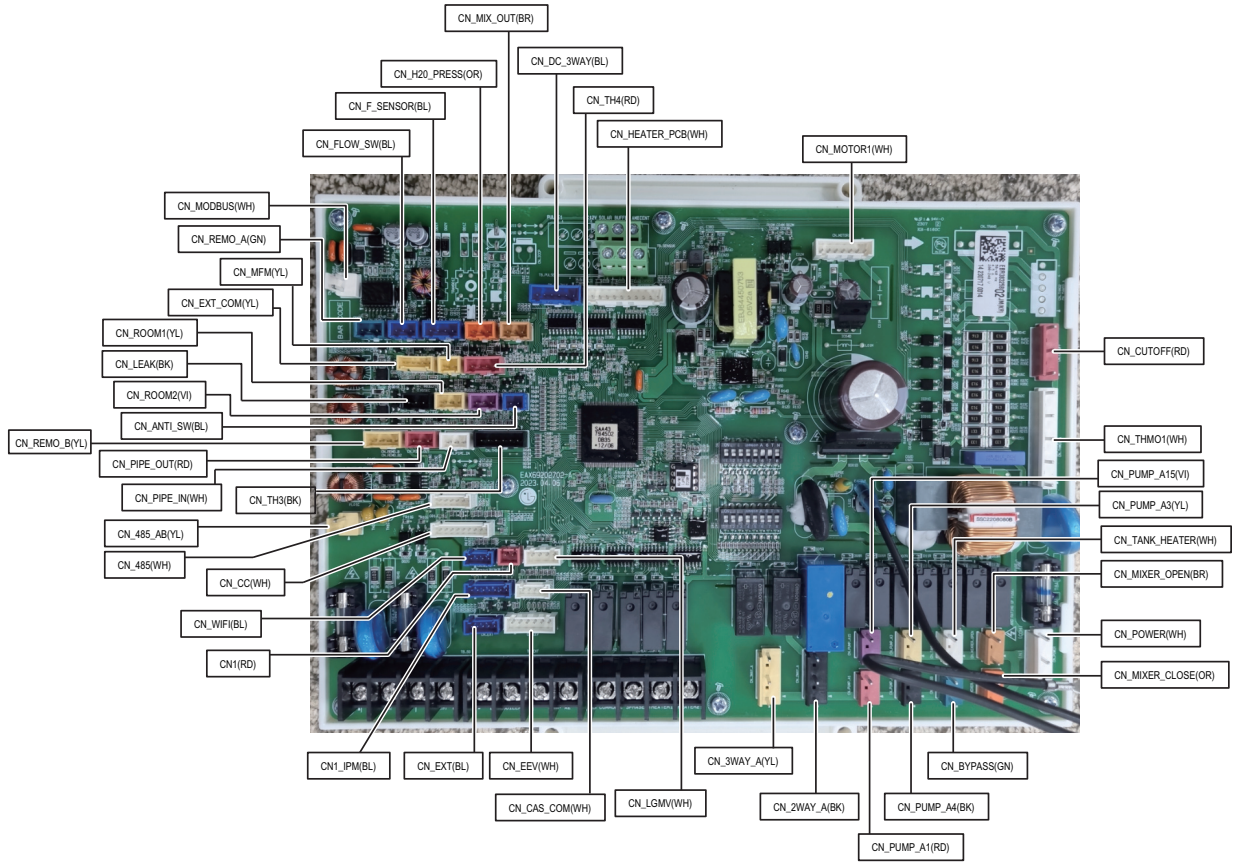
Outdoor Unit(Including field wiring) : UN60B Chassis, 1Ø



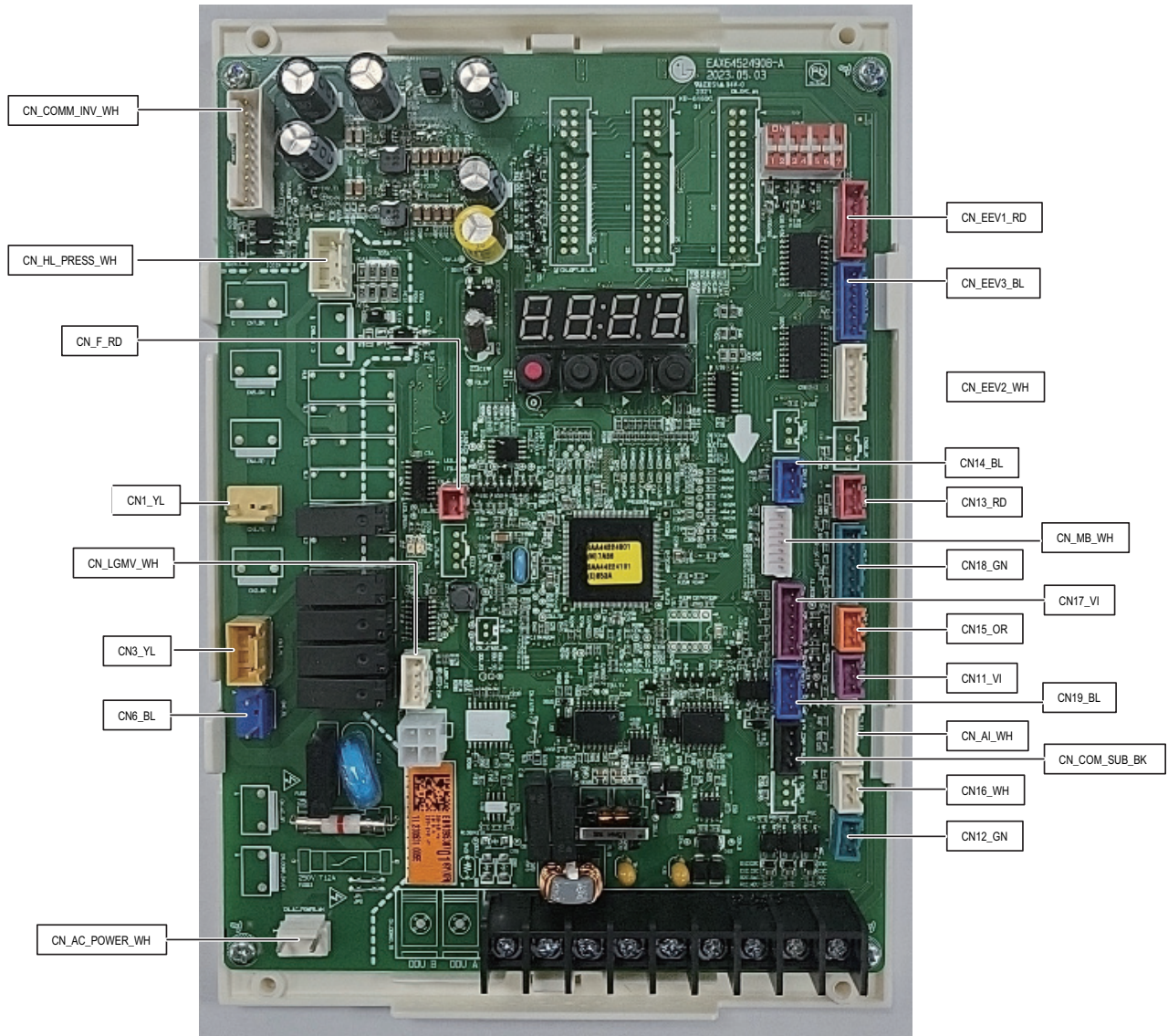
Outdoor Unit(Including field wiring) UN 60B Chassis , 3Ø



Indoor PCB



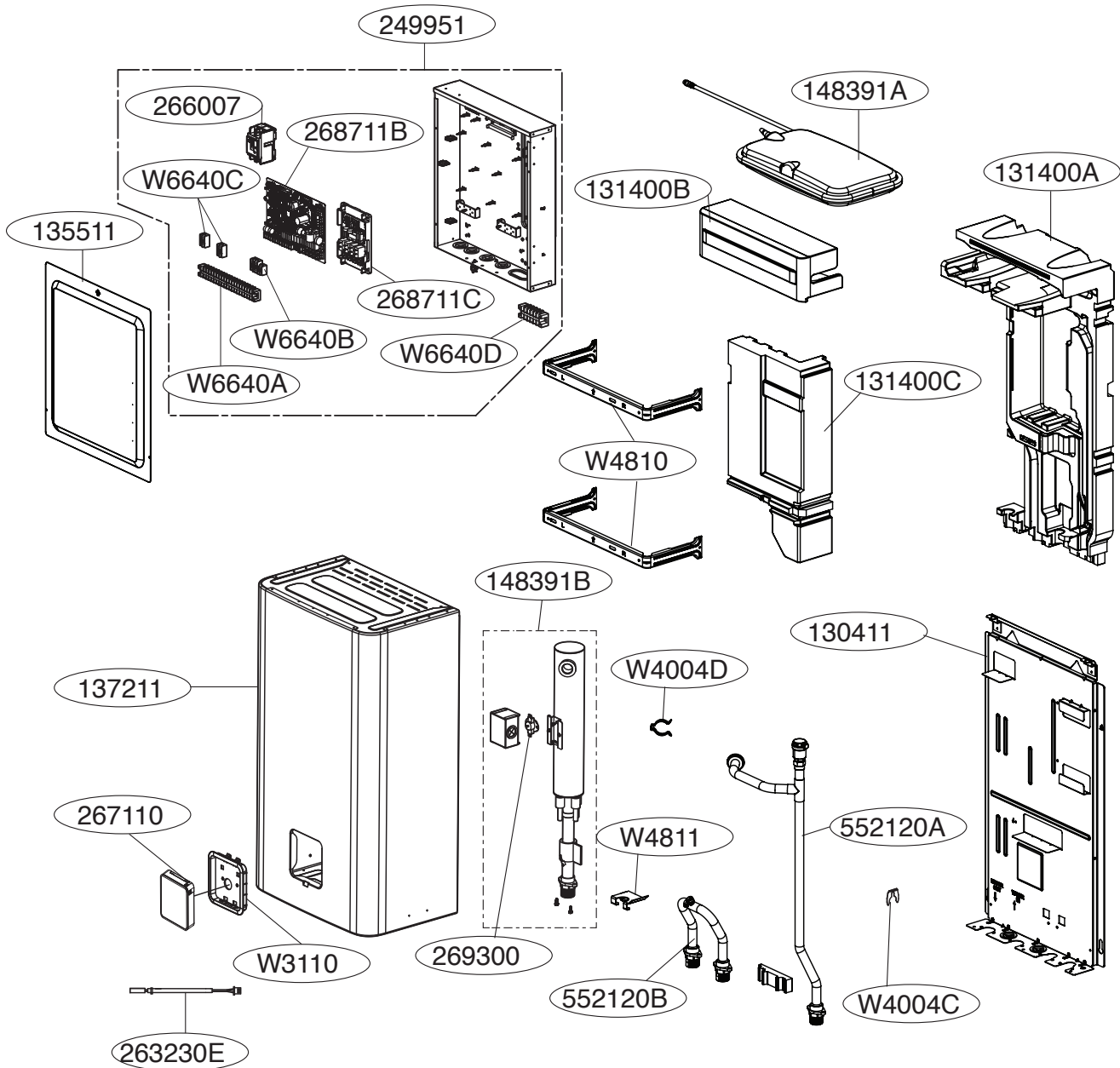
Outdoor PCB



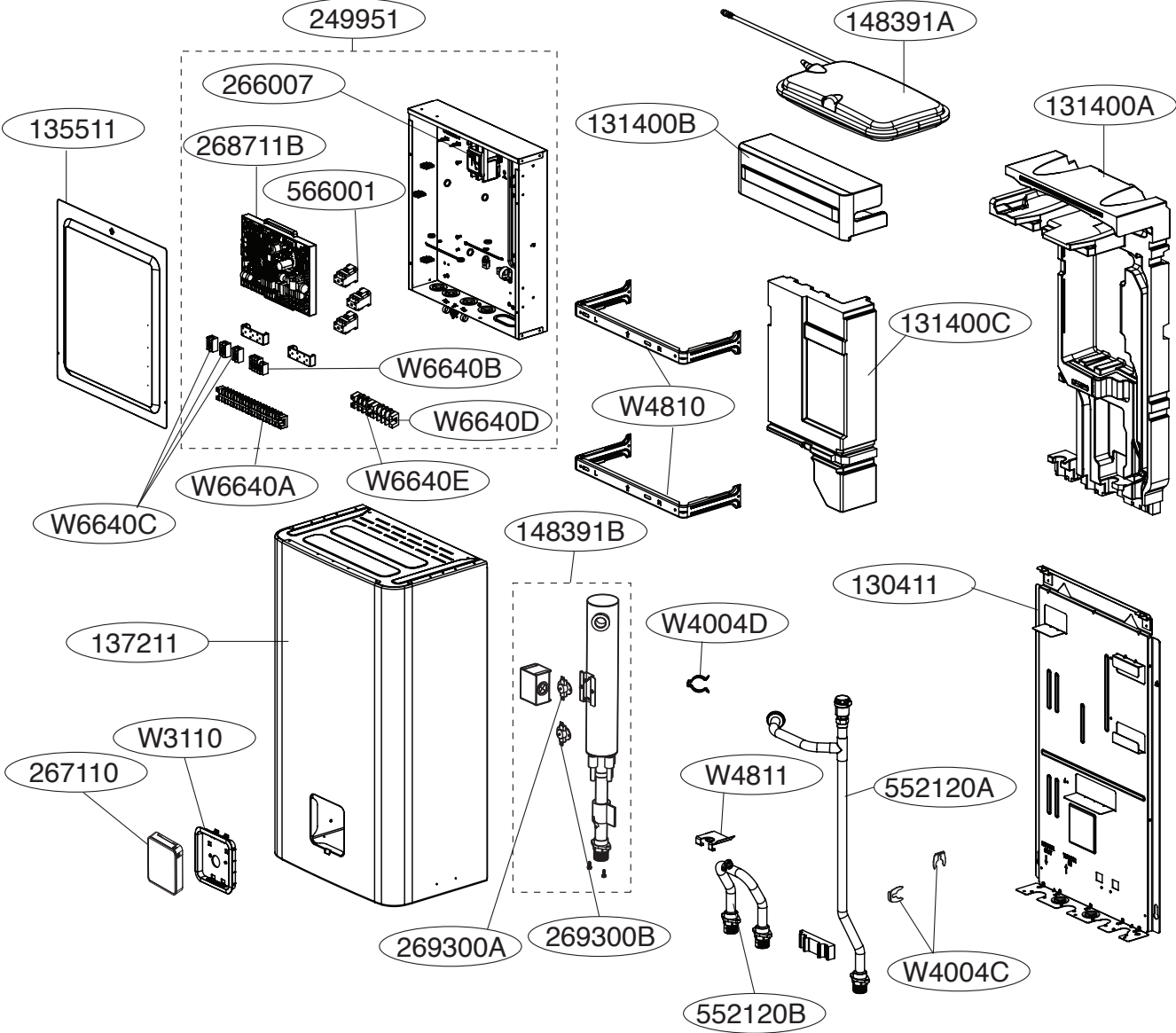
6. Exploded View

Indoor Unit (1Ø)

Model : HN1616HC NK0



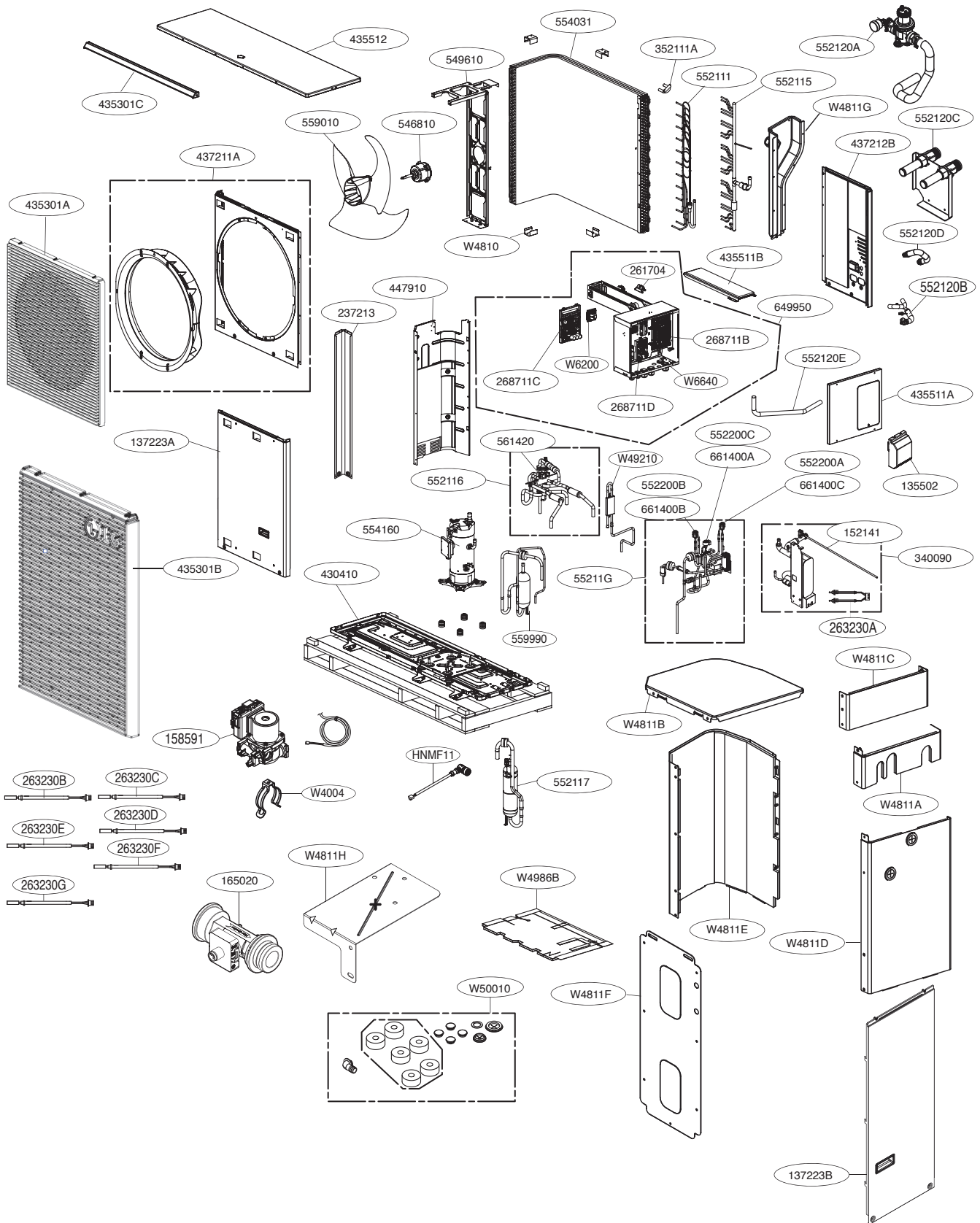
Indoor Unit (3Ø)
Model : HN1639HC NK0



Outdoor Unit

Model(1Ø) : HM161HF UB60 / HM141HF UB60 / HM121HF UB60

Model(3Ø) : HM163HF UB60/ HM143HF UB60/ HM123HF UB60/ HM093HFX UB60



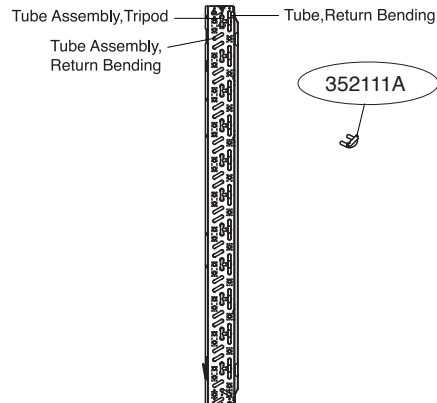
Outdoor Unit

Model(1Ø) : HM161HF UB60 / HM141HF UB60 / HM121HF UB60

Model(3Ø) : HM163HF UB60/ HM143HF UB60 / HM123HF UB60 / HM093HFX UB60

Condenser Assembly

you need to buy these parts when repair condenser assembly.



Thermistor Assembly,NTC

Location No.	Thermistor Description	Housing Color
263230A	Water In/Water Out	Blue
263230B	Pipe In_Air	Yellow
263230C	Cond In_Dis_Pipe Mid	Violet
263230D	5KOHM_PIPE_5P sensor	Violet
263230E	5KOHM_PIPE	White
263230F	VMMC ELECTRONICS KOREA INC	Orange
263230G	5KOHM_PIPE	Green

Condenser Assembly Repaired parts

Description	Location No.	Quantity
Condenser Assembly,Bending	554031	1
Tube Assembly,Connector	352111A	1



P/NO : MFL68681928